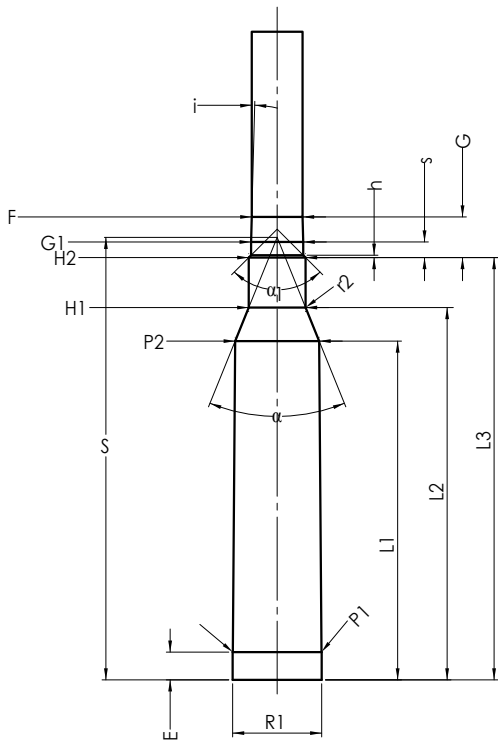
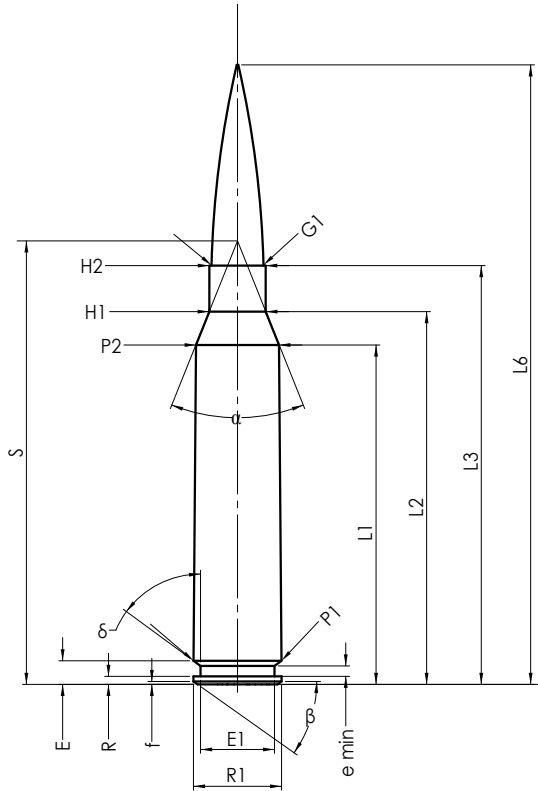


Alternative Names: 9,5 X 77 mm



CARTRIDGE MAXI

Lengths

L1 ¹⁾	=	62.28	-0.20
L2 ¹⁾	=	68.37	-0.20
L3 ¹⁾	=	76.91	
L4	=		
L5	=		
L6	=	113.40	

Case Head

R	=	1.60	
R1	=	16.25	
R3	=		
E	=	4.47	
E1	=	13.80	
e min	=	2.00	
delta	=	53°44'	
f	=	0.50	
beta	=	35°19'59"	

Powder Chamber

P1	=	16.18	
P2 ¹⁾ *	=	15.22	-0.20

Junction Cone

alpha*	=	43°54'38"	
S*	=	81.16	
r1 min	=		
r2	=		

Collar

H1*	=	10.31	
H2 ¹⁾	=	10.31	

Projectile

G1 ¹⁾	=	9.52	
G2	=		
F	=	9.30	
L3+G1 ¹⁾	=	84.35	

Pressures (Energies)

Method Transducer

Pmax	=	4400	bar
PK	=	5060	bar
PE	=	5500	bar
M	=	25.00	
EE	=	10000	Joule

Miscellaneous Dimensions

Fe ¹⁾³⁾	=	0.10	
delta L	=	0.09	

CHAMBER MINI

Lengths

L1	=	62.01	
L2	=	68.15	
L3 ¹⁾	=	77.30	

Breech

R	=		
R1	=	16.30	
R2	=		
R3	=		
r	=		

Powder Chamber

E	=	5.08	
P1 ¹⁾	=	16.23	
P2*	=	15.37	

Junction Cone

alpha ¹⁾ *	=	43°59'18"	
S*	=	81.04	
r1 max	=		
r2	=	3.05	

Collar

H1*	=	10.41	
H2 ¹⁾	=	10.40	

Commencement of Rifling

G1 ¹⁾ *	=	9.54	
G2 ¹⁾	=	7.44	
alpha1	=	90°	
h	=	0.43	
s*	=	2.86	
i ¹⁾ *	=	1°30'	
w	=		

Barrel

F ¹⁾ *	=	9.30	
Z ¹⁾ *	=	9.53	

Grooves

b	=	2.57	
N	=	8	
U	=	330.20	
Q	=	70.32	mm ²

Scale 1:1.39

Dimensions in << mm >>

Notes: 1) Check for safety reasons
2) Headspace on Shoulder
* Basic dimensions